

FL series

fluid level temperature gauges

Technical information

Pressure:

Max working 1 bar (14,5 psi)

Fixing screws:

Metric

Working temperature:

-20° + 80°C

Thermometer:

double scale 0 °C ÷ 100 °C 30 °F ÷ 210 °F

Materials: Heads: nylon
Protection: anodized aluminium
Screws: zinc plated
Seals: Buna-N

Fluid compatibility(acc. to ISO 2943):

Full with HH-HL-HM-HV-HFAE-HFAS (ISO 6743/4).

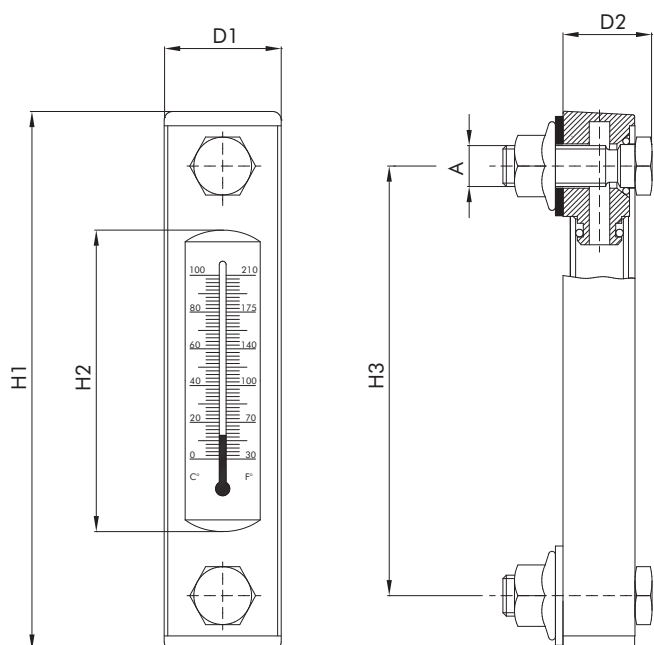
For use with other fluid application please contact Filtrec Customer Service (info@filtrec.it)



Ordering information

NOMINAL SIZE		THERMOMETER	FIXING SCREWS
FL	2	T	M12
		THERMOMETER	
		0	without
T	with		
FIXING SCREWS			
M10	M10		
M12	M12		

Overall dimensions



Nominal size

CODE	A	D1	D2	H1	H2	H3
FL-1	M10 / M12	33	30	106	35	76
FL-2				157	86	127
FL-3				284	213	254

